



solidian

product manager
MARINA PILAT LIPSINIC

marina.lipsinic@solidian-kelteks.com
+385 91 73 48 782



build solid.

solidian
GREENWALL
green life support

**FOR SUSTAINABLE
AND SUPERIOR
BUILDINGS**



Kelteks d.o.o.
Dr. Slavka Rozgaja 3
47000 Karlovac, Croatia

✉ info@solidian-kelteks.com
🌐 www.solidian.com

☎ P +385 47 693 300
☎ F +385 47 434 203



30
YEARS OF INNOVATIONS
EST. 1990



Final Product
Application

FOR
SUSTAINABLE
AND BETTER
BUILDINGS



A PERFECT
HOUSE, IS A
GREEN HOUSE

solidian GREENWALL

green life support

solidian GREENWALL is high strength, non-corrosive, lightweight green facade support with premium HI-UV marine grade coating. Also available in different colors.

Product
Description



STRENGTH Compound

Exclusively Designed Composite

- Lightweight
- High-Strength
- Non-Corrosive
- Chemical Resistant
- Able to maintain strength properties over a wide range of harsh conditions such as high and cold temperatures, UV light, wind and sea water



SUSTAINABILITY Premium Coating

Marine Grade Premium HI-UV Coating

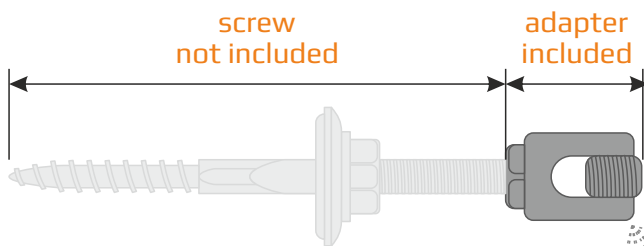
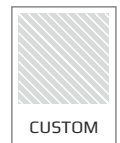
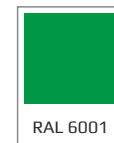
- Premium HI-UV finish
- Excellent protection against varying and harsh weather conditions
- UV light Protection
- Marine Grade Quality



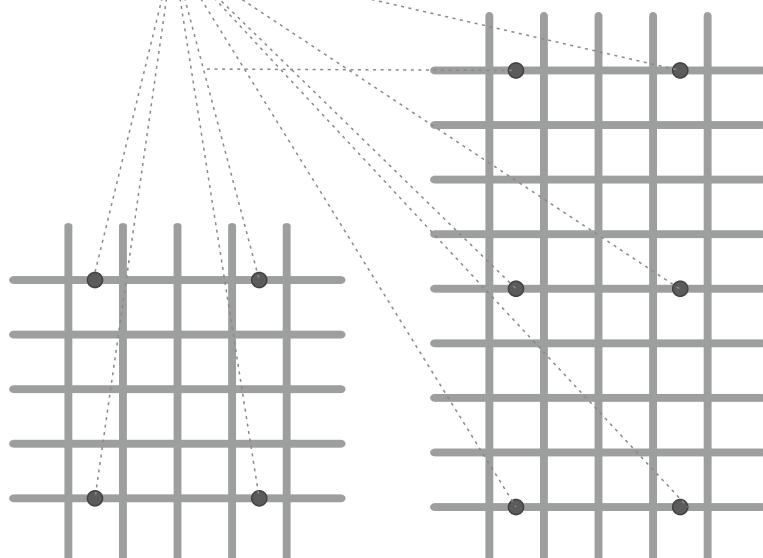
COLOR Range

Standard Green & Mint or custom on request

- Different color options for colored trendy facades
- We offer you to pick color that will suit you best



solidian GREENWALL can be easily attached to the wall. We recommend attaching your new 2m² grid to 6 anchoring points or 1m² to 4 anchoring point as shown. The system includes 6 or 4 adapters (M8) that are easily attached to the grid using an Allen key.



1000 x 1000 mm

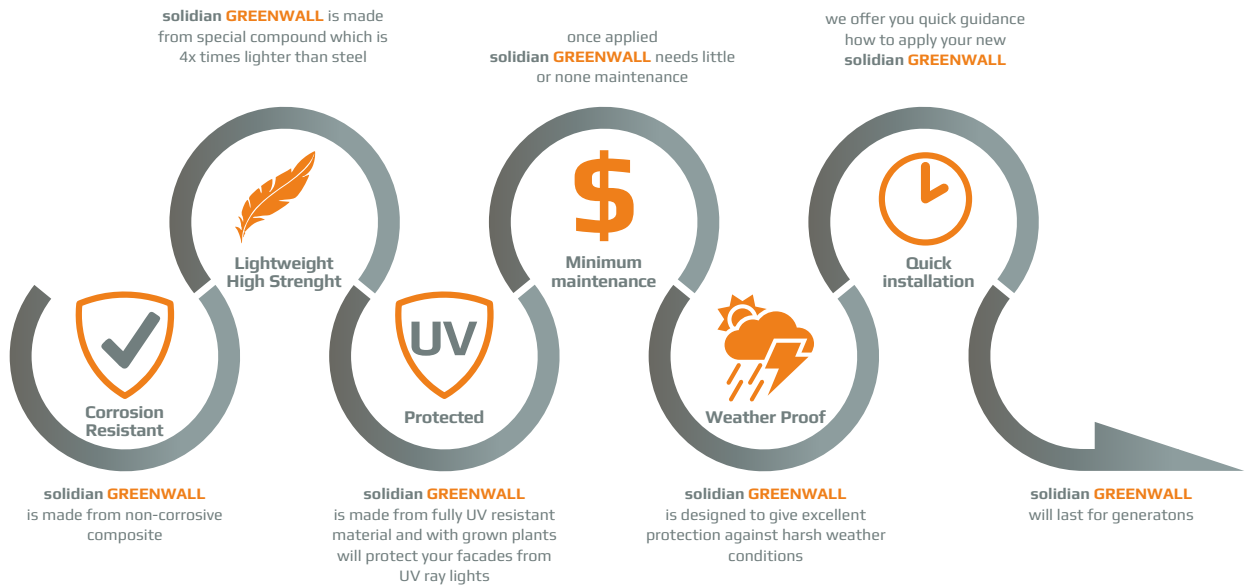
2000 x 1000 mm

Systems
& Extras

Advantages & Carateristics

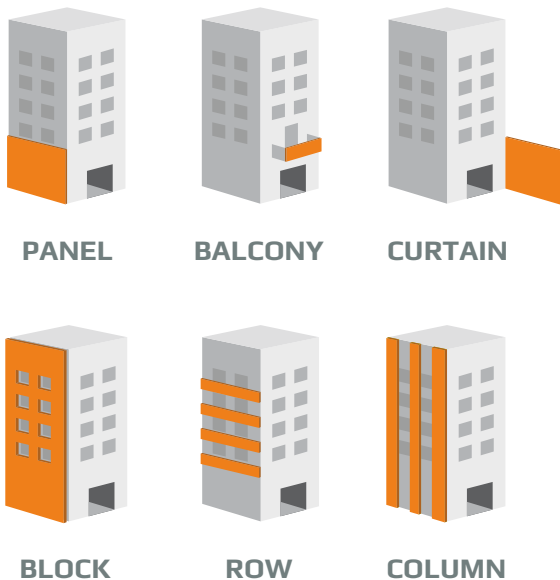
Benefits

- Building Profile Beautification
- Improved Air Quality
- Biodiversity & Habitat
- Acoustic Buffering
- Biophilic Design and Our Health
- Increased Thermal Insulation
- Increased life of the facade
- Reduced by Sunlight / UV exposure
- Rain protection of the Exterior wall
- Solves Urban Heat
- Adaptive to all environments



Applications

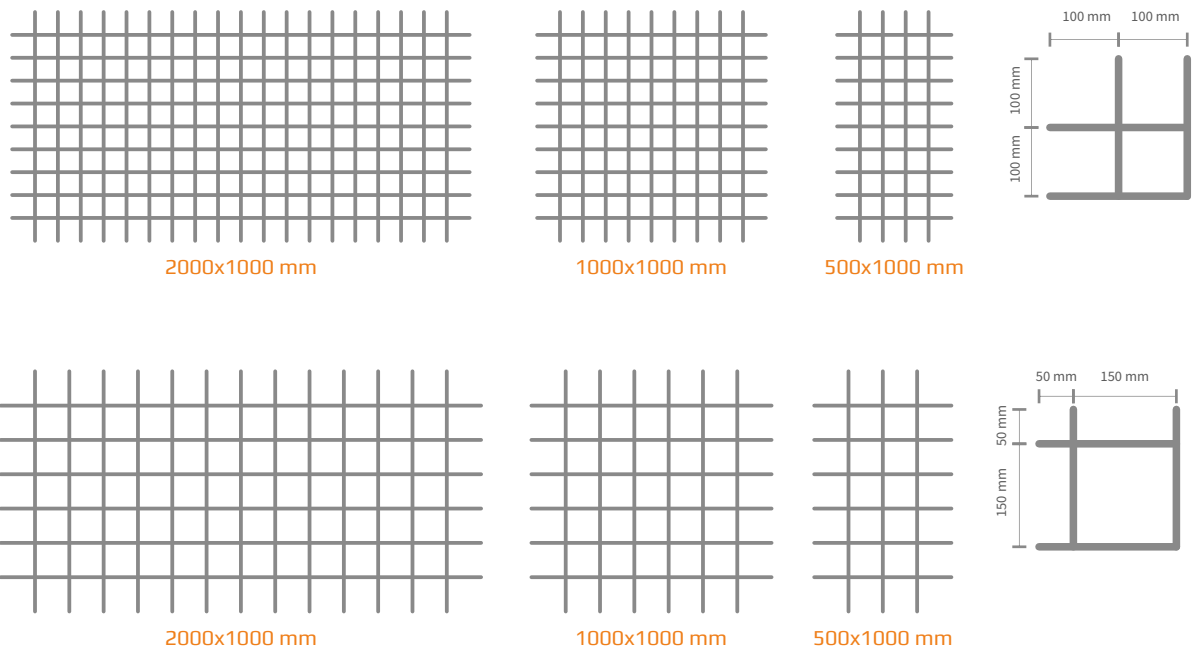
- Interiors
- Exteriors
- Retail + Office Environments
- Residential Projects
- Industrial Buildings
- Tennis Courts and Golf Courses
- Stadiums and Arenas
- Hotels and Restaurants
- Schools and Hospitals
- Highway Improvements
- Parking Structures
- Fencing
- Privacy Screening
- Graffiti Protection



Application & Implementations

Dimensions & Variations

Panels are available in 6 different standard dimension depending on grid eye opening: 2000x1000mm (max), 1000x1000mm and 500x1000mm with eye opening 100 or 150 mm. Production of *custom dimensions of **solidian GREENWALL** is also possible.



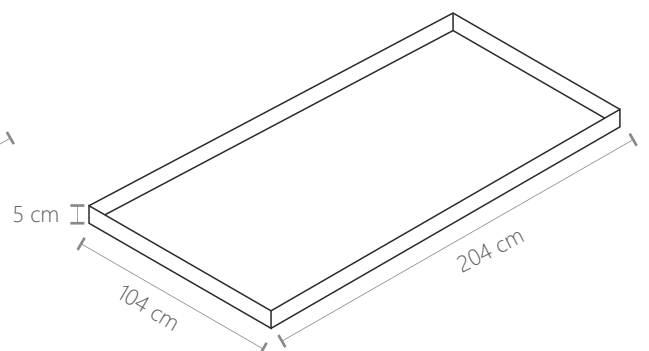
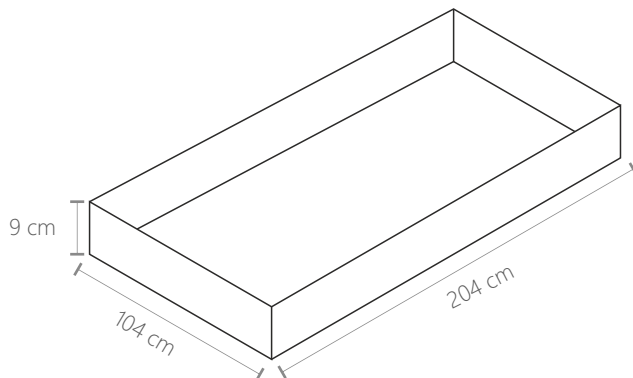
solidian GREENWALL is packed in cardboard box for easier handling. Available in 2 pcs/box (4m²) or 6 pcs/box (12m²).

PACKAGE A

package: 6 pcs package
 package weight: 19 kg
 package volume: 191cm³
 on pallet: 10 packages per pallet

PACKAGE B

package: 2 pcs package
 package weight: 6,5 kg
 package volume: 103cm³
 on pallet: 20 packages per pallet



Packaging & Dimensions



Kelteks d.o.o.
Dr. Slavka Rozgaja 3
47000 Karlovac, Croatia

✉ info@solidian-kelteks.com
🌐 www.solidian-kelteks.com

☎ P +385 47 693 300
☎ F +385 47 434 203

